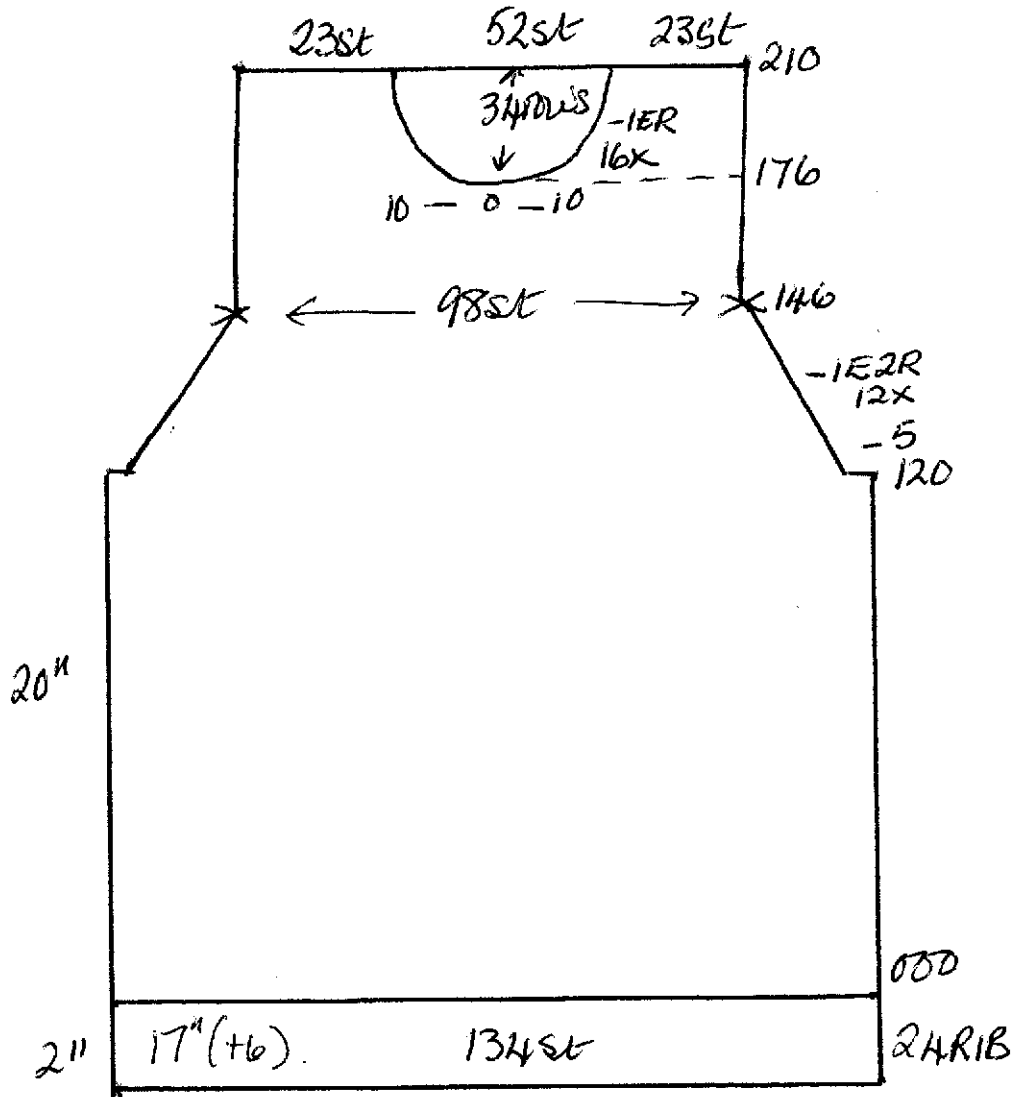


Modified drop shoulder 30"

TENSION.
 7.5st = 1"
 10.5rows = 1"



NECKBAND
 $52 + 10 + 52 + 10 = 124st.$

